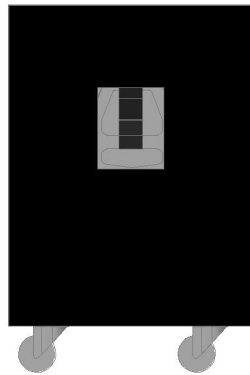
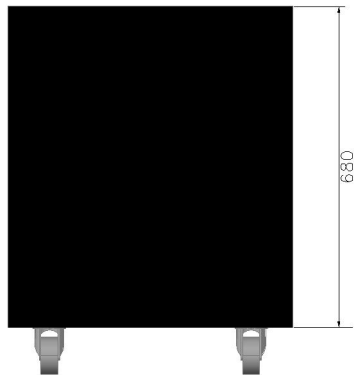
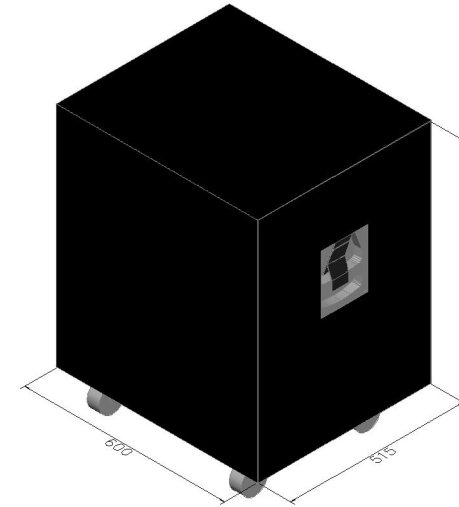
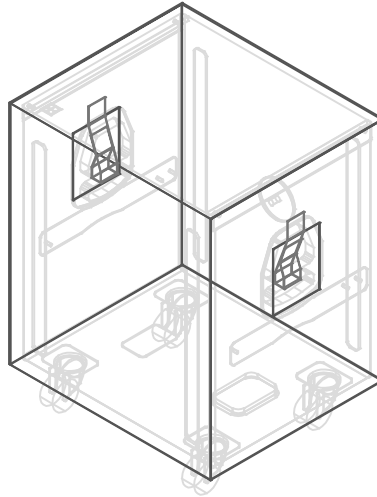


SCALE: 1:16



DATE: 5/11/09

REVISION: 0

DRAWN BY:
A.M.M.

TITLE:
Drop over cover
for a d&B
AudioTechnik
Q-Sub Speaker

Drop over cover for a d&B AudioTechnik Q-Sub Speaker.
Overall Unit size 580mm x 668mm x 493mm high. Make
Covers Internal dimensions 600mm x 515mm x 680mm high
Overall.

Black Nypad cover, open at base to fit over unit. One cut out
on each side. Velcro & webbing tabs to pass around handle
bars. Room for Print on Front if required.