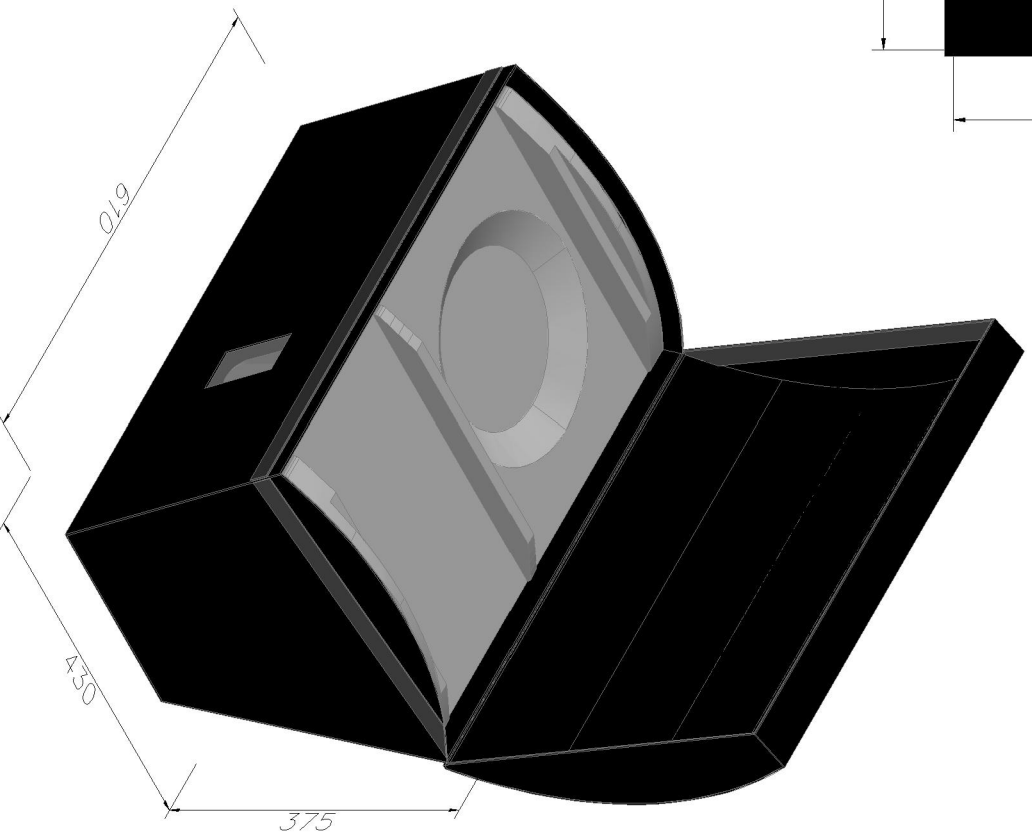


SCALE: 1:8

Fully Enclosed Transit Wrap for a Turbosound TQ440/445DP Speaker. Overall Unit size 409mm x 363mm x 588mm high. Make Wraps Internal dimensions 610mm x 430mm x 375mm high Overall.
 Black Nypad bag, top opening only, secured by Velcro flaps. Cut outs on front and rear poanels for access to unit handles. Plastic reinforcement in lid and base.



DATE: 6/4/09

REVISION: 0

DRAWN BY: A.M.M.

TITLE: Fully enclosed transit wrap for a Turbosound TQ440/445DP Speaker.

