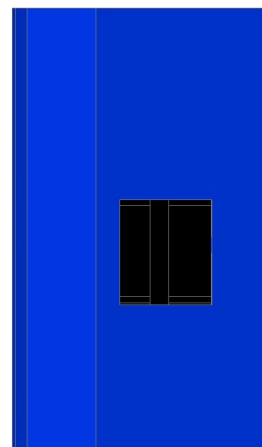
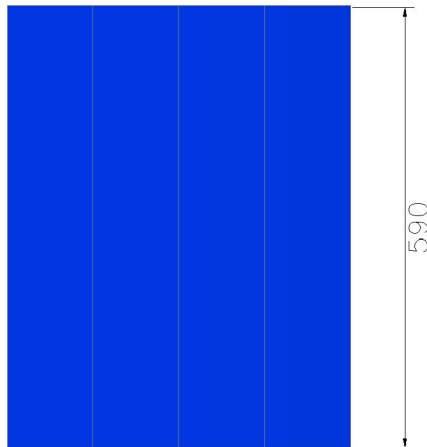
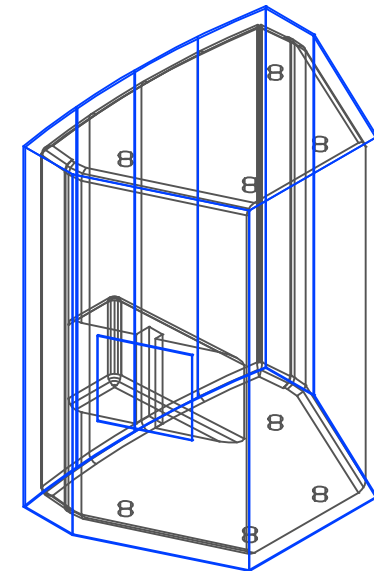
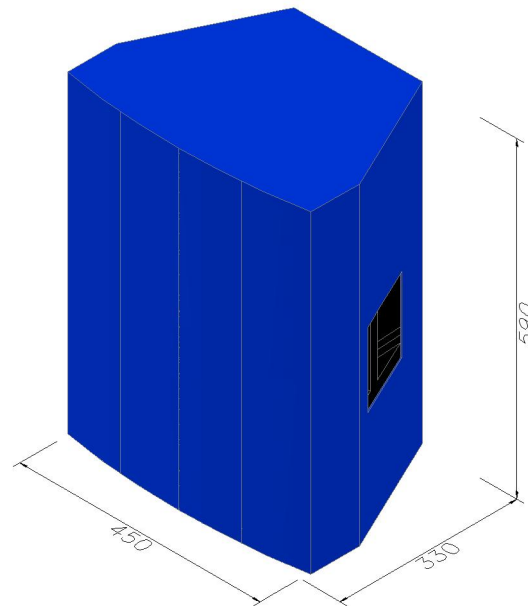


SCALE: 1:10



Drop over cover for an Ev Sx300E Speaker. Overall Unit size 429mm x 312mm x 586mm high. Make Covers Internal dimensions 450mm x 330mm x 590mm high Overall.

Blue Nypad cover, open at base to fit over unit. One cut out on side, for access to unit handle. Room for Print on Front.

DATE: 30/6/09

REVISION: 0

DRAWN BY:
A.M.M.

TITLE:

Drop over cover
for an Ev
Sx300E Speaker