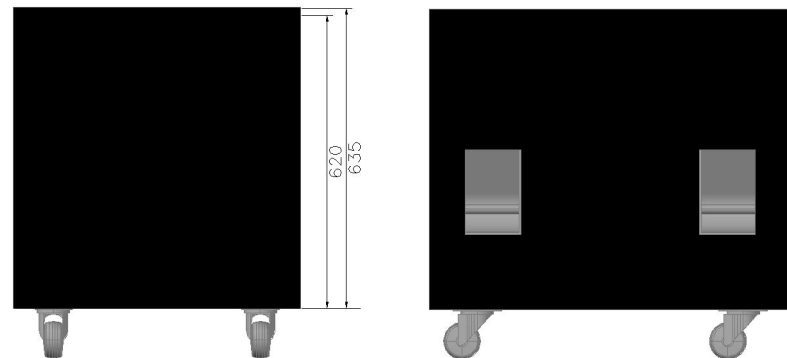
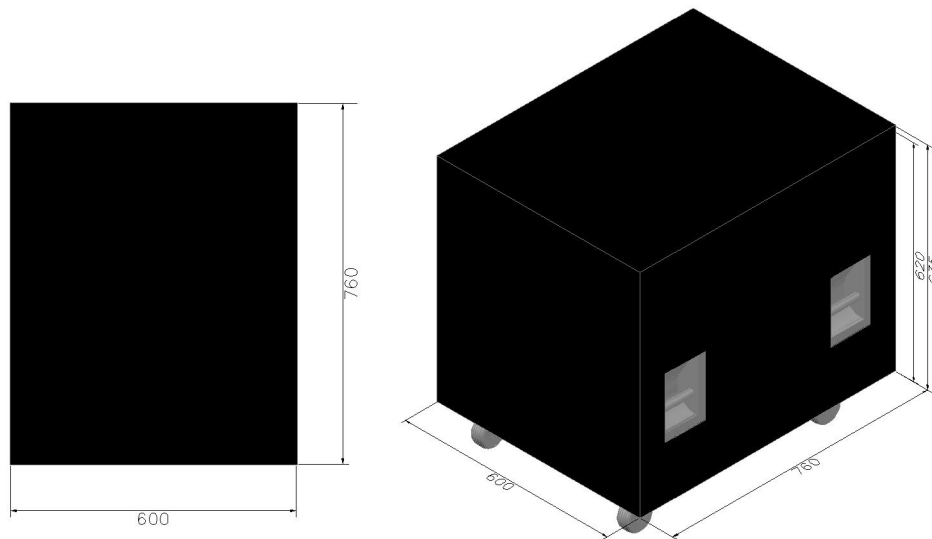
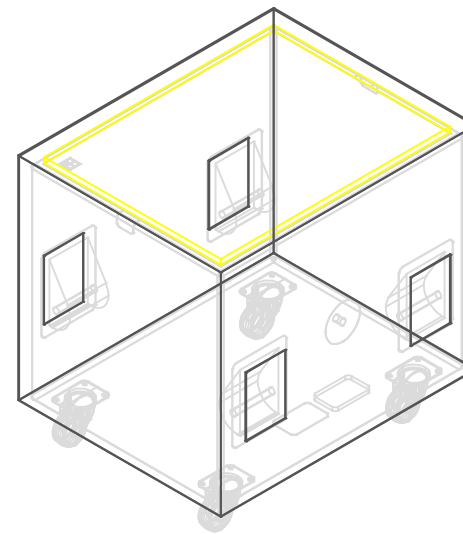


Drop over cover for a d&B Audiotechnik C7 Sub. Make covers Internal dimensions 600mm x 760mm x 620mm high.

Padded cover, open at base to fit over unit. Two cut outs of 120mm x 180mm high for handle access on both 760mm x 635mm dims. Heavy duty Ply reinforcement stitched into top panel. Room for Print if required.



SCALE: 1:16



DATE:	26/11/09
REVISION:	1
DRAWN BY:	A.M.M.
TITLE:	Drop over cover for a d&B Audiotechnik C7 Sub