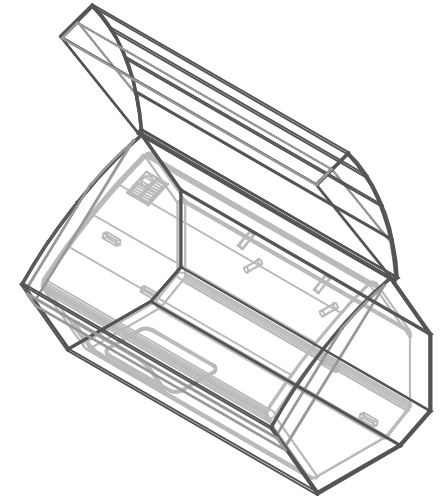
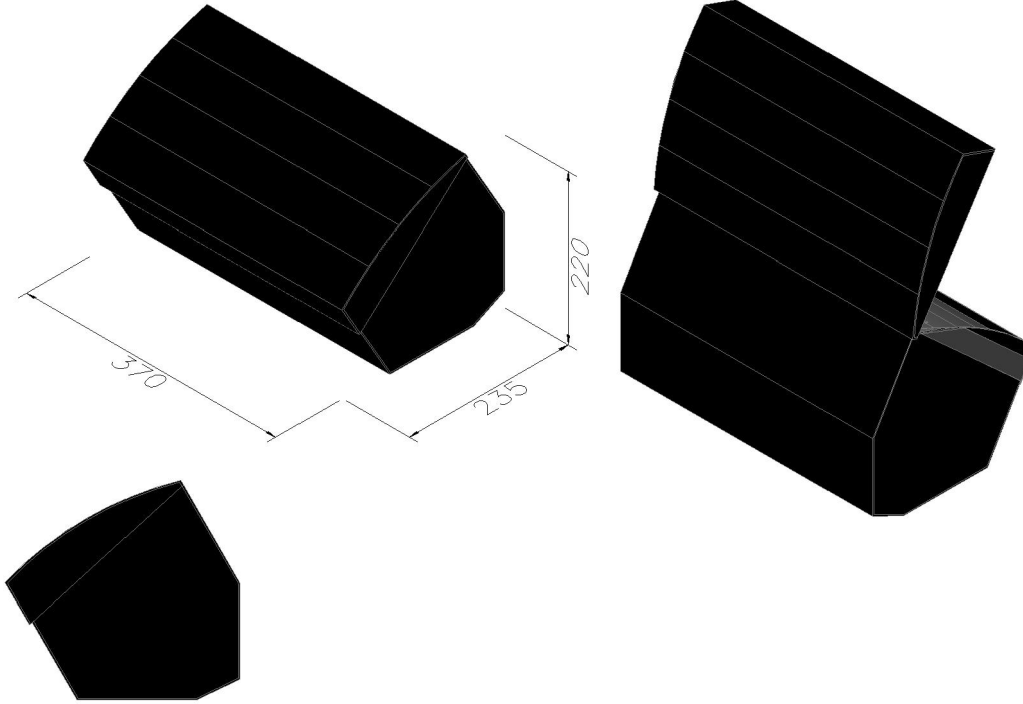
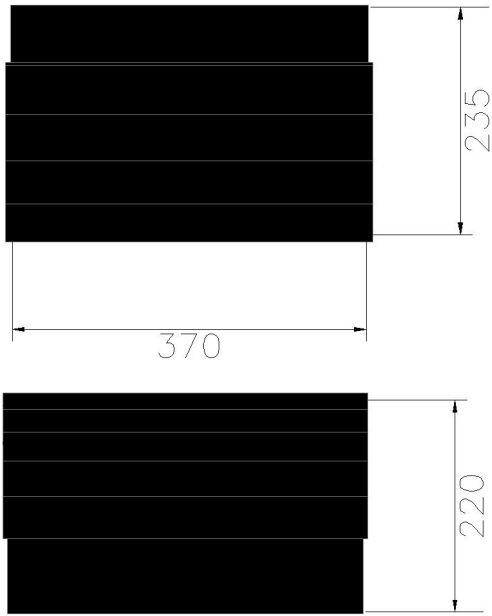


SCALE: 1:8



DATE:	4/11/09
REVISION:	0
DRAWN BY:	A.M.M.
TITLE:	Fully enclosed Transit Wrap for a d&B AudioTechnik E3 Speaker

Fully enclosed Transit Wrap for a d&B AudioTechnik E3 Speaker. Overall Unit size 190mm x 204mm x 352mm high. Make Covers Internal dimensions 370mm x 235mm x 220mm high Overall. Black Nypad cover, top opening only, secured by Velcro flaps. Plastic reinforcement in lid, over speaker face. Room for print on lid if required.