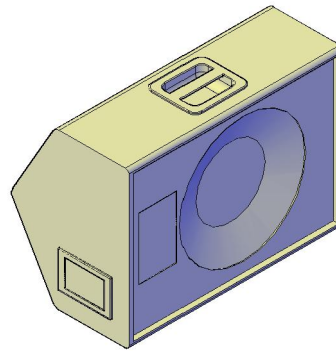
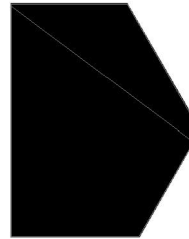
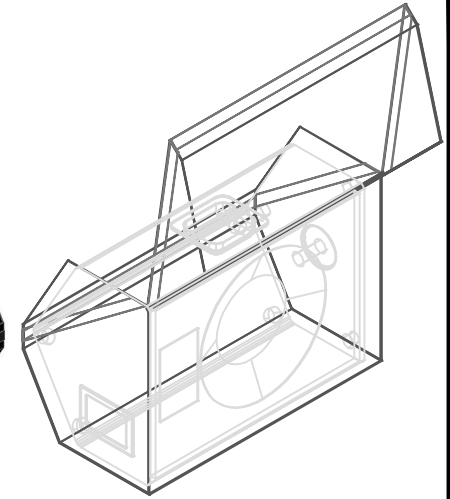
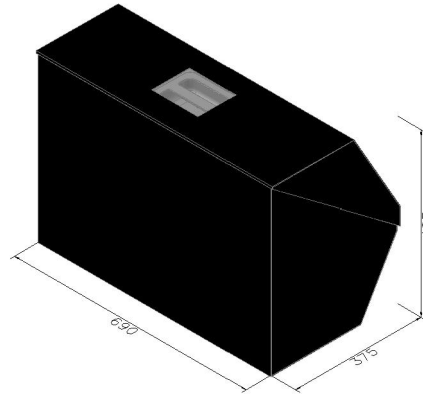


SCALE: 1:16



DATE: 18/5/09

REVISION: 0

DRAWN BY:  
A.M.M.

TITLE:  
Fully enclosed transit  
wrap for a Yamaha  
AX-15-M Speaker

Fully Enclosed Transit Wrap for a Yamaha AX-15-M Speaker.  
Overall Unit size 470mm x 355mm x 668mm high. Make  
Covers Internal dimensions 690mm x 375mm x 485mm high  
Overall.

Black Nypad bag, top opening only, secured by Velcro flaps.  
Cut out in top panel for access to unit handle. Plastic  
reinforcement in front vertical panel over speaker face.